

REINER

REINER 02

0P-39

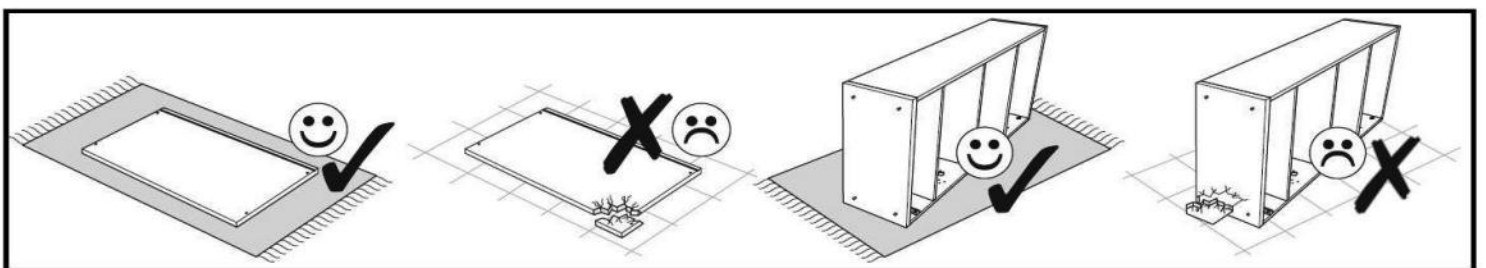
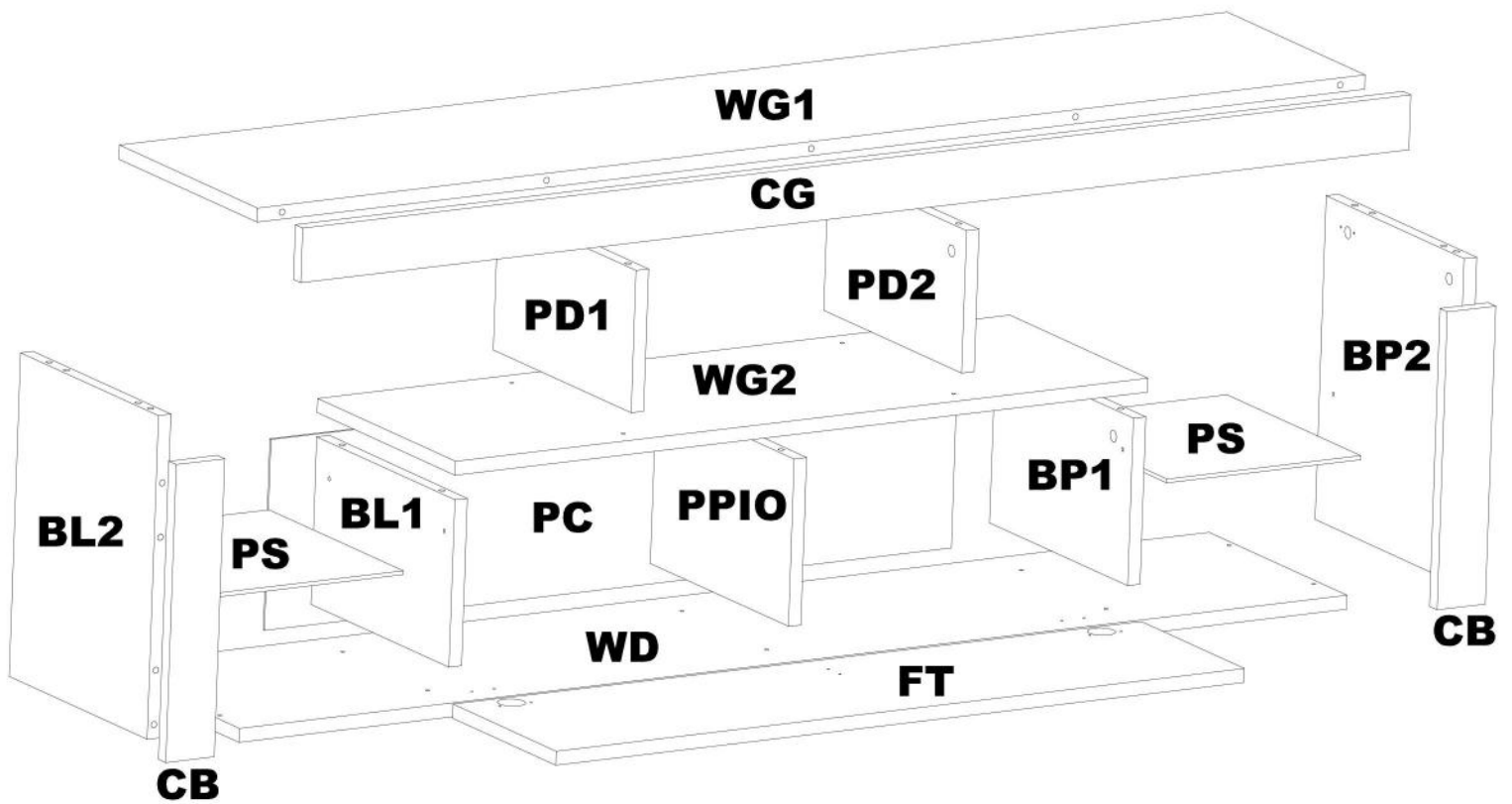
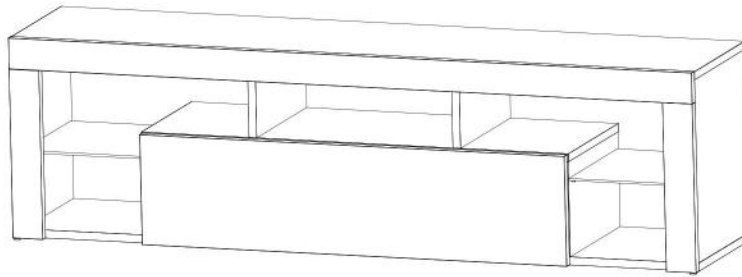
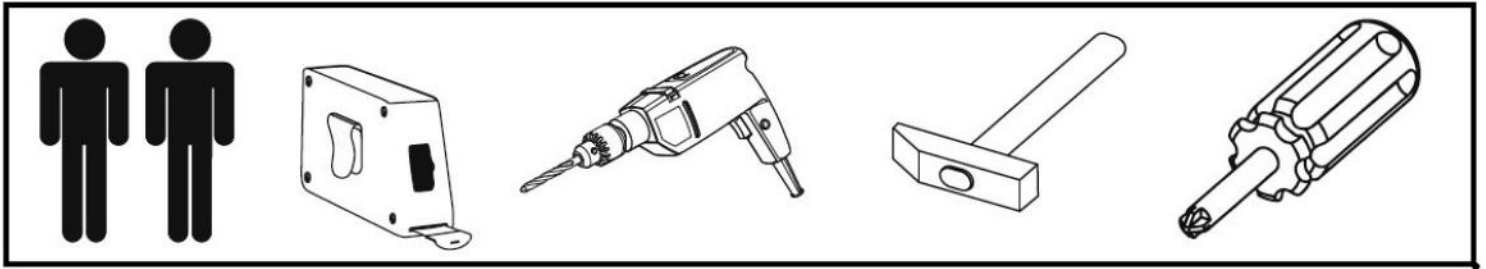
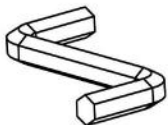


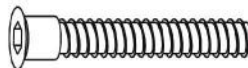

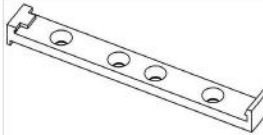
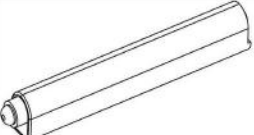
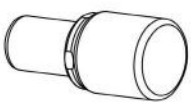
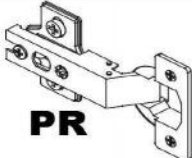






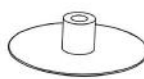

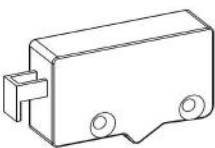

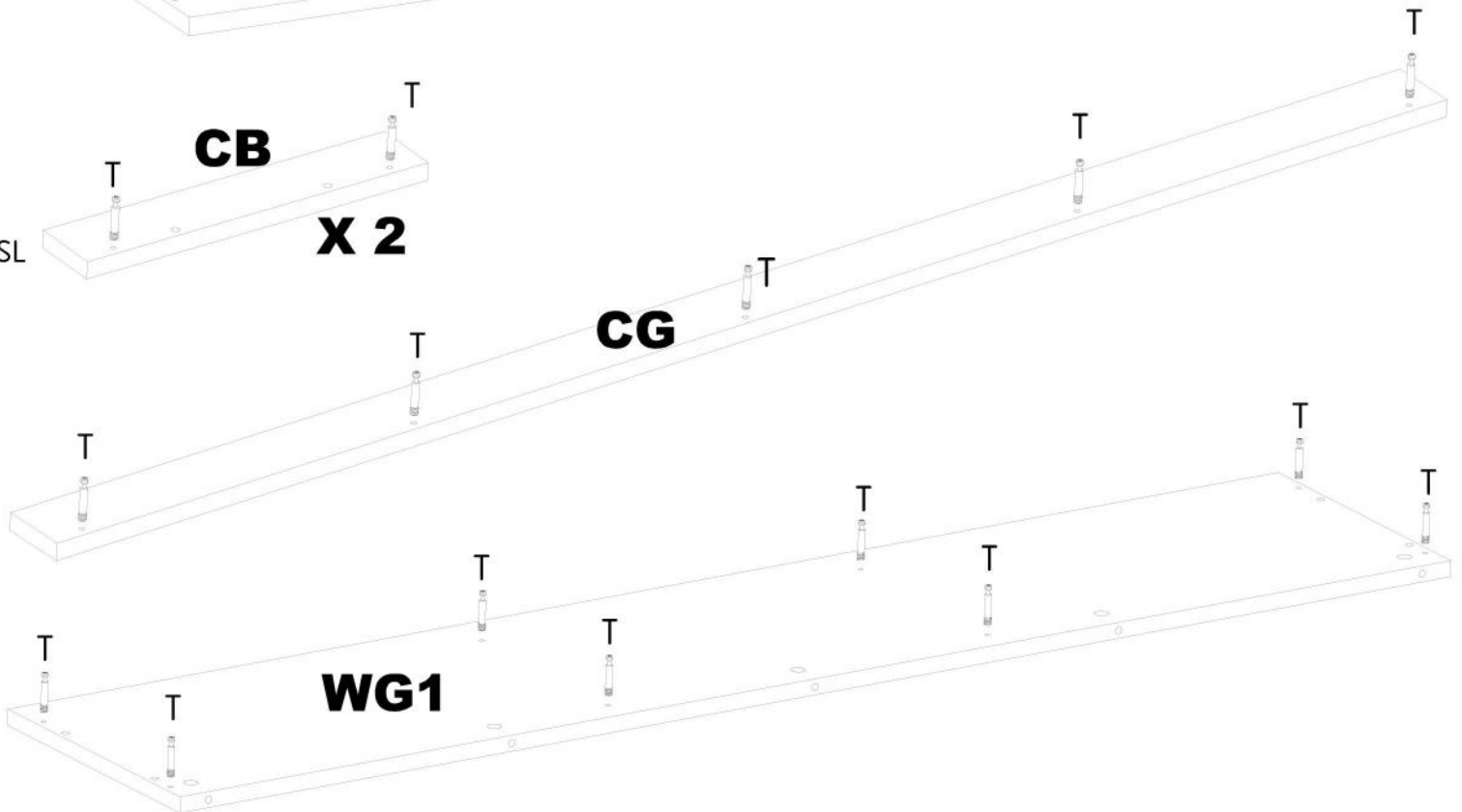
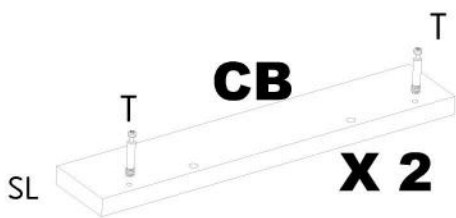
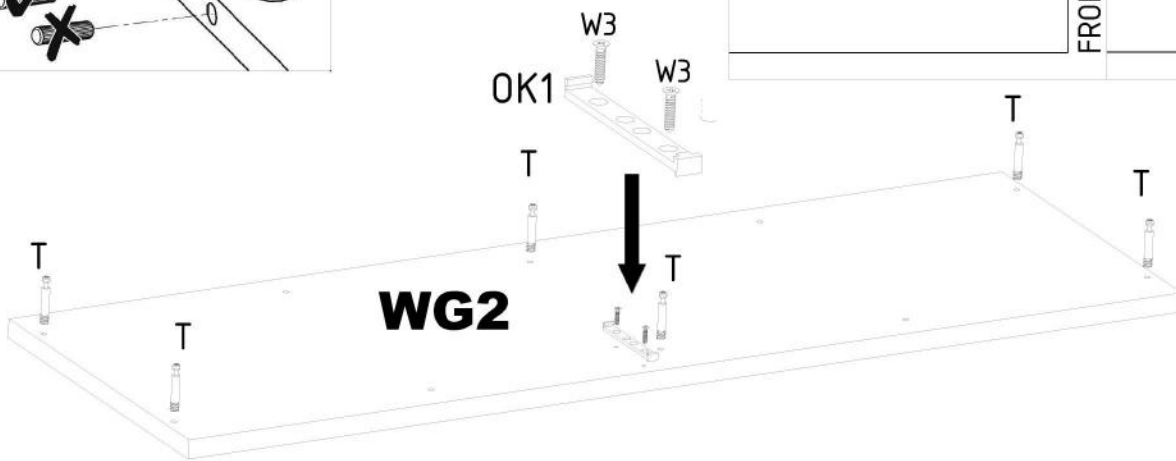
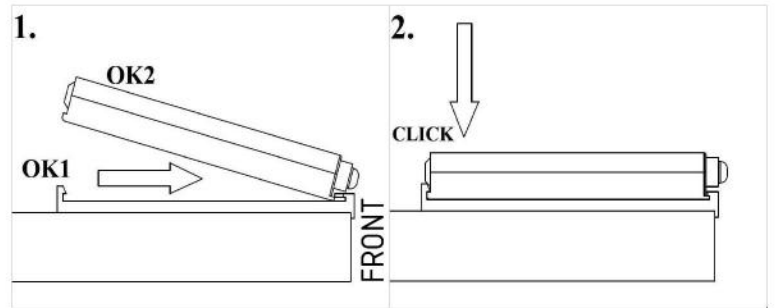
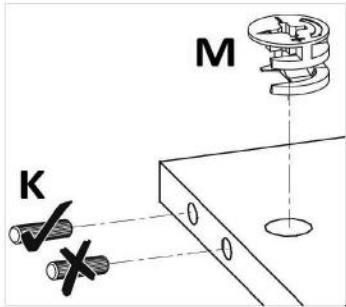
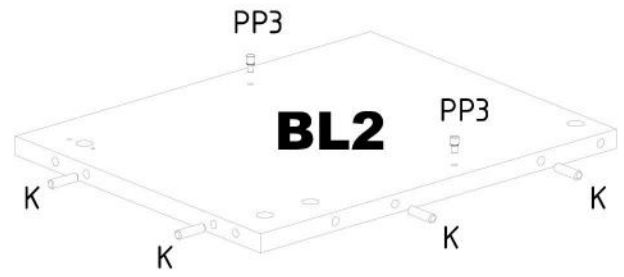
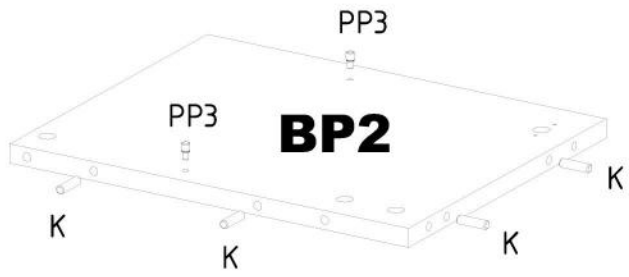
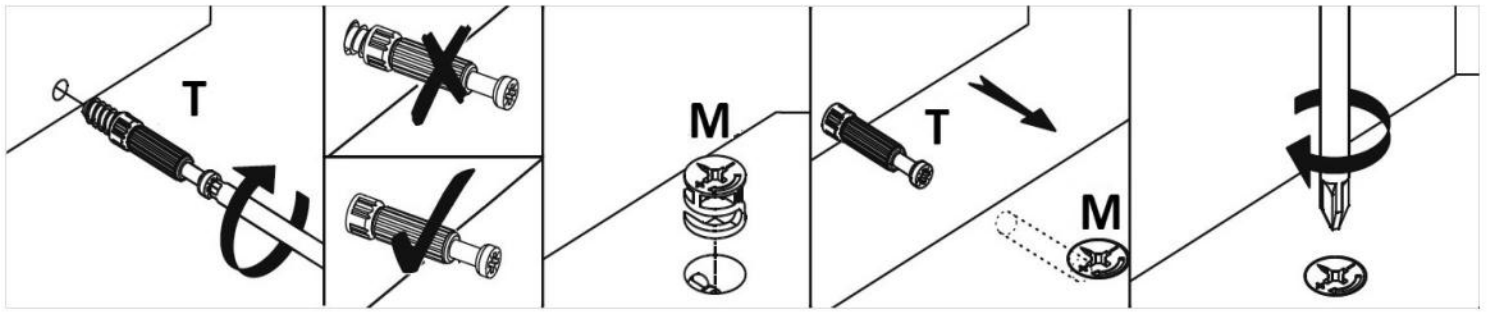


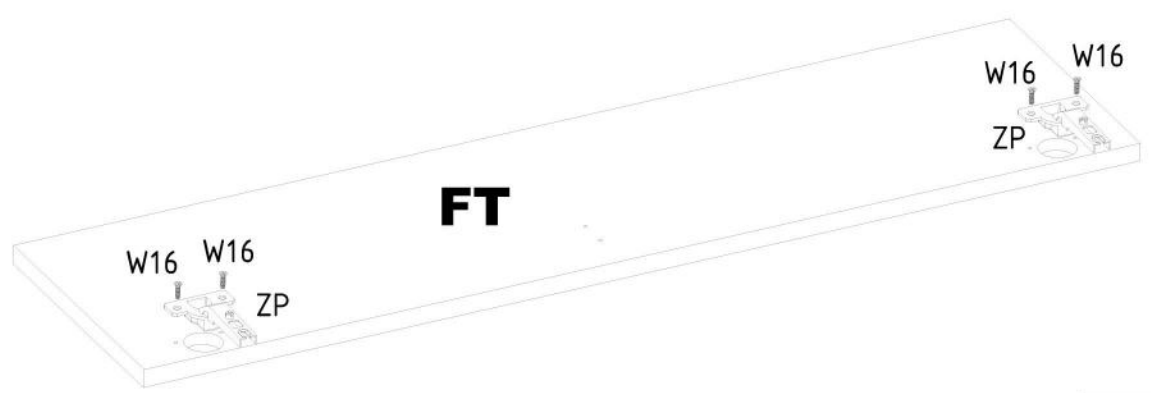
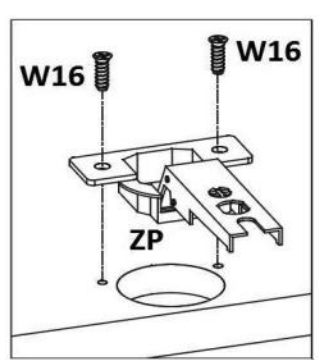
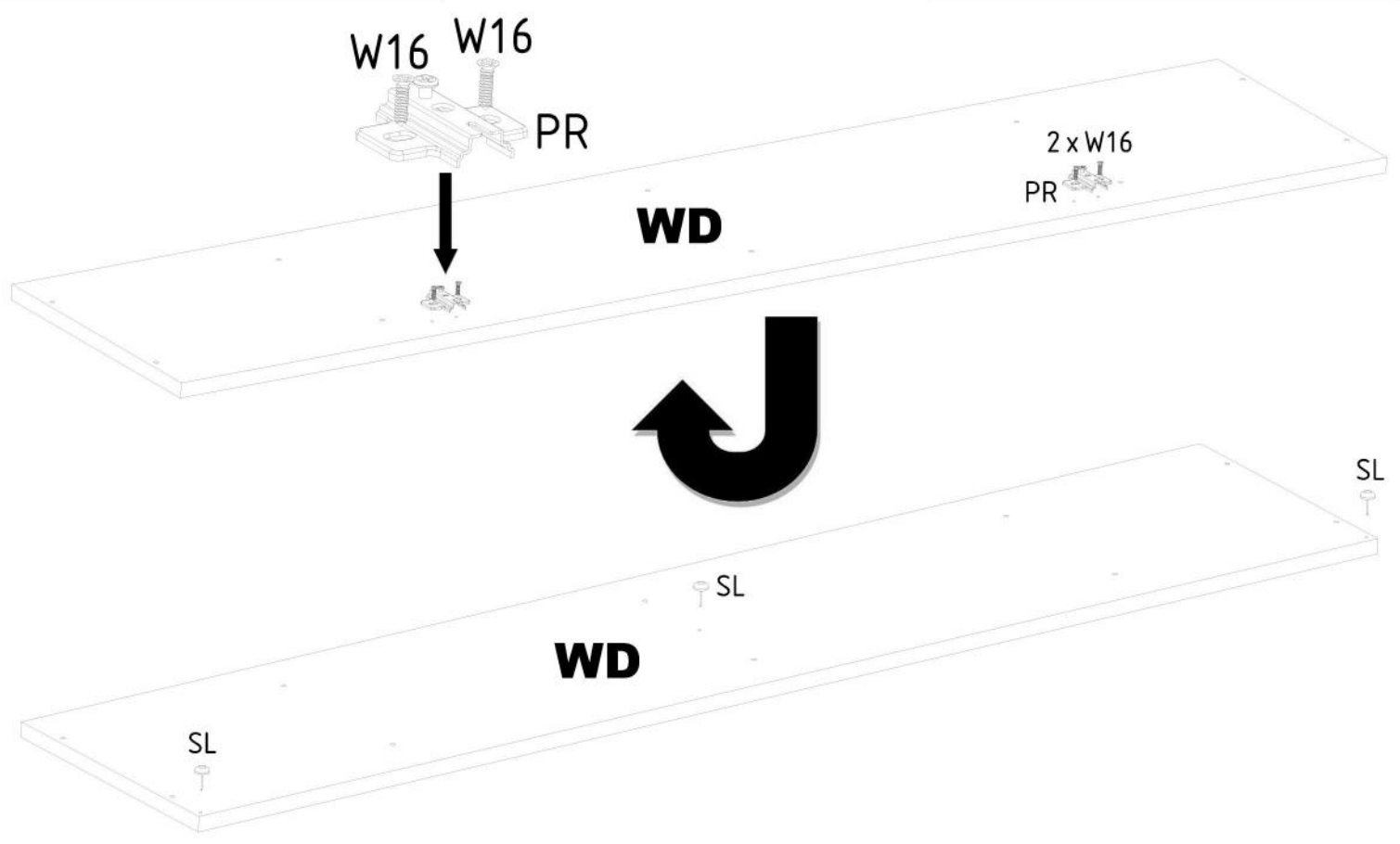
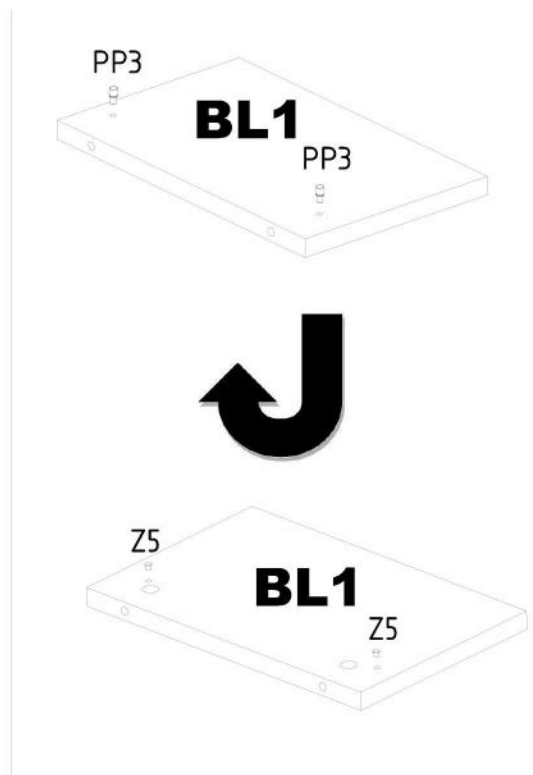
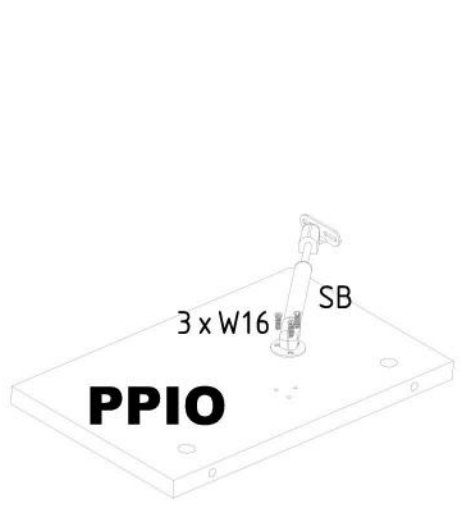
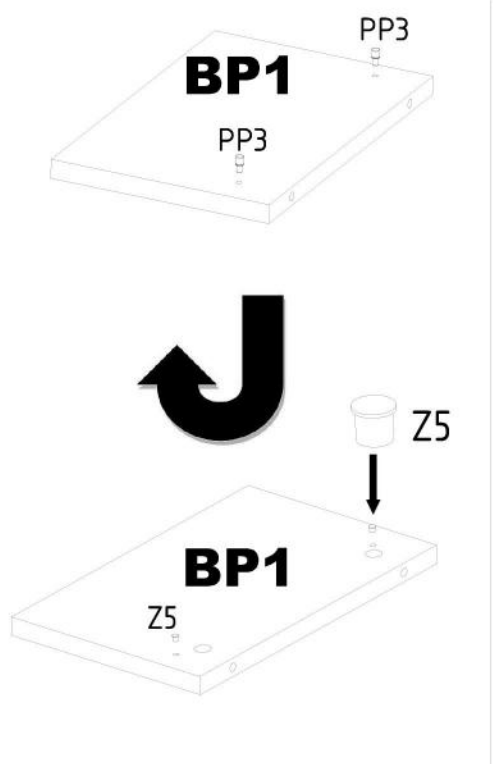
Table accessories

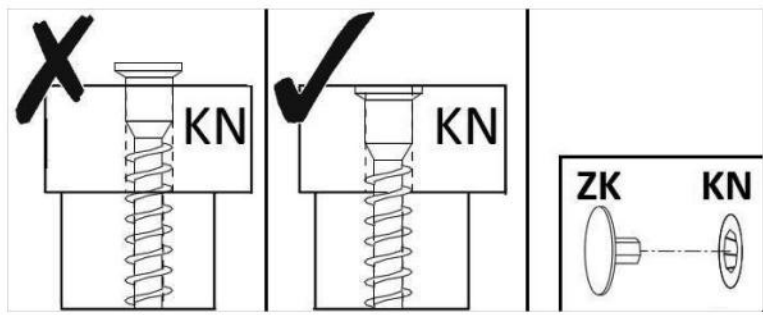
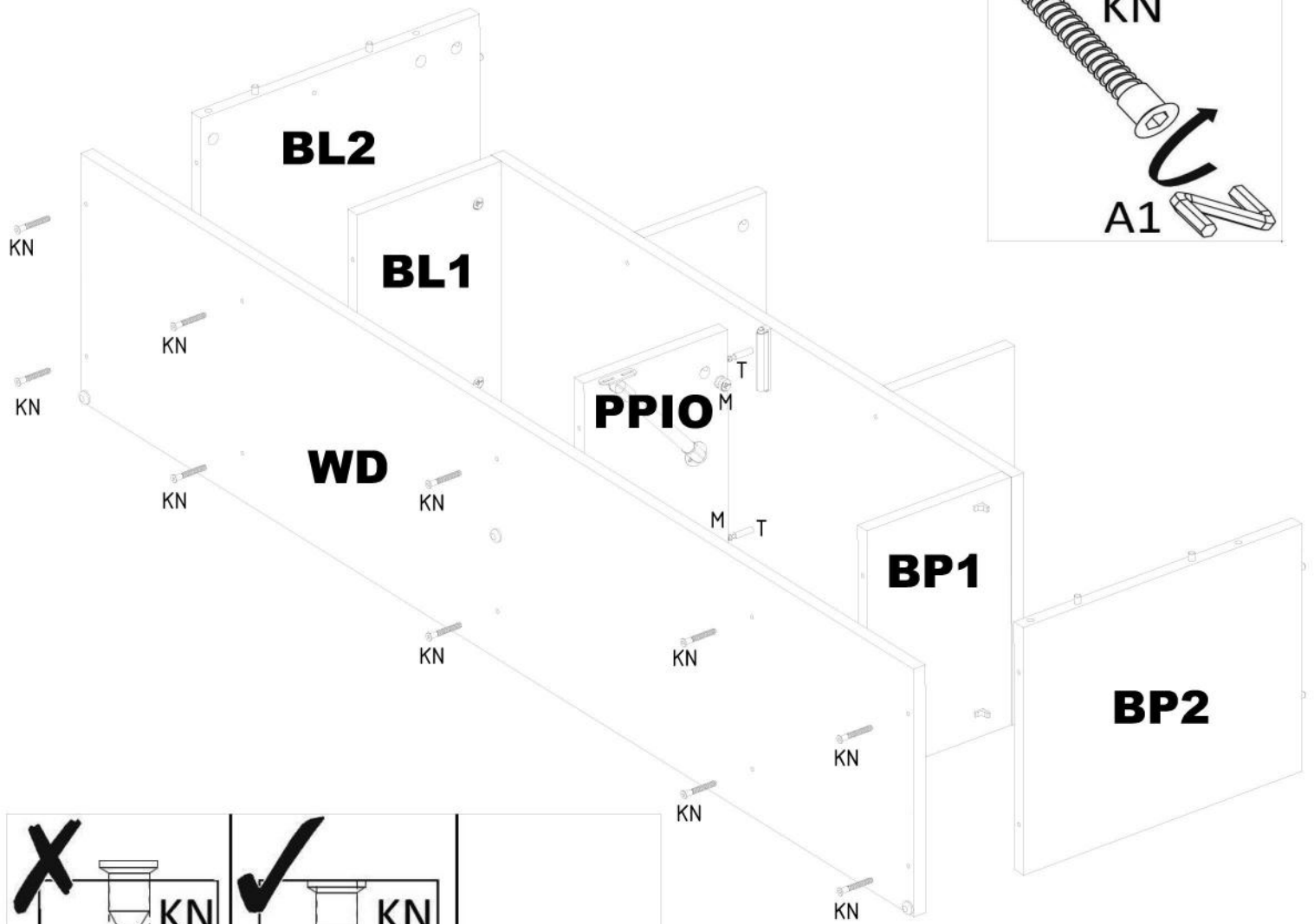
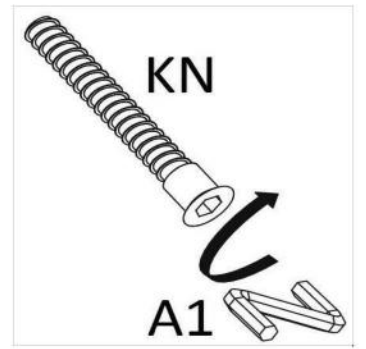
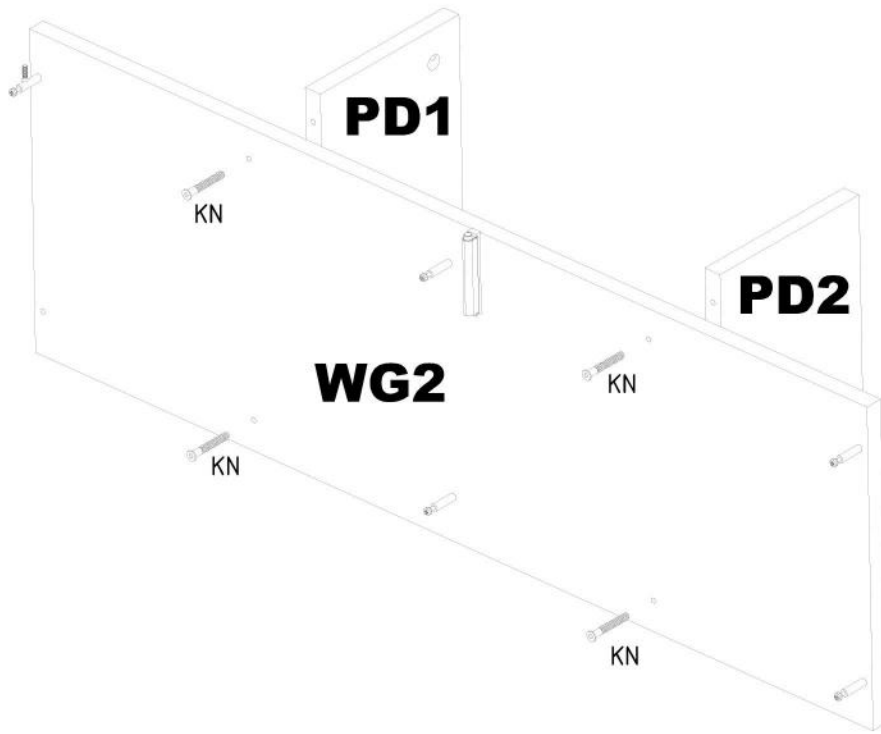
REINER 02

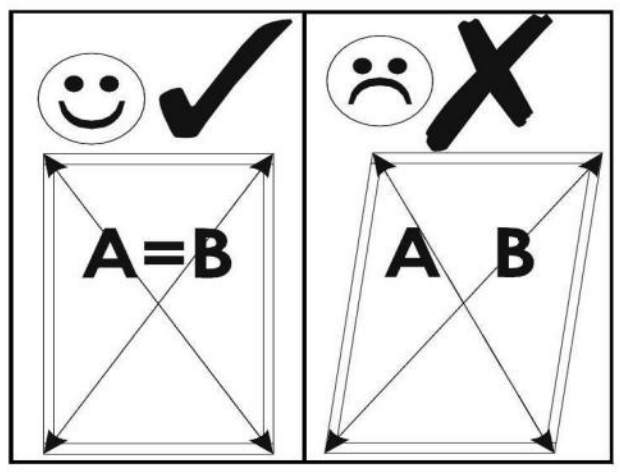
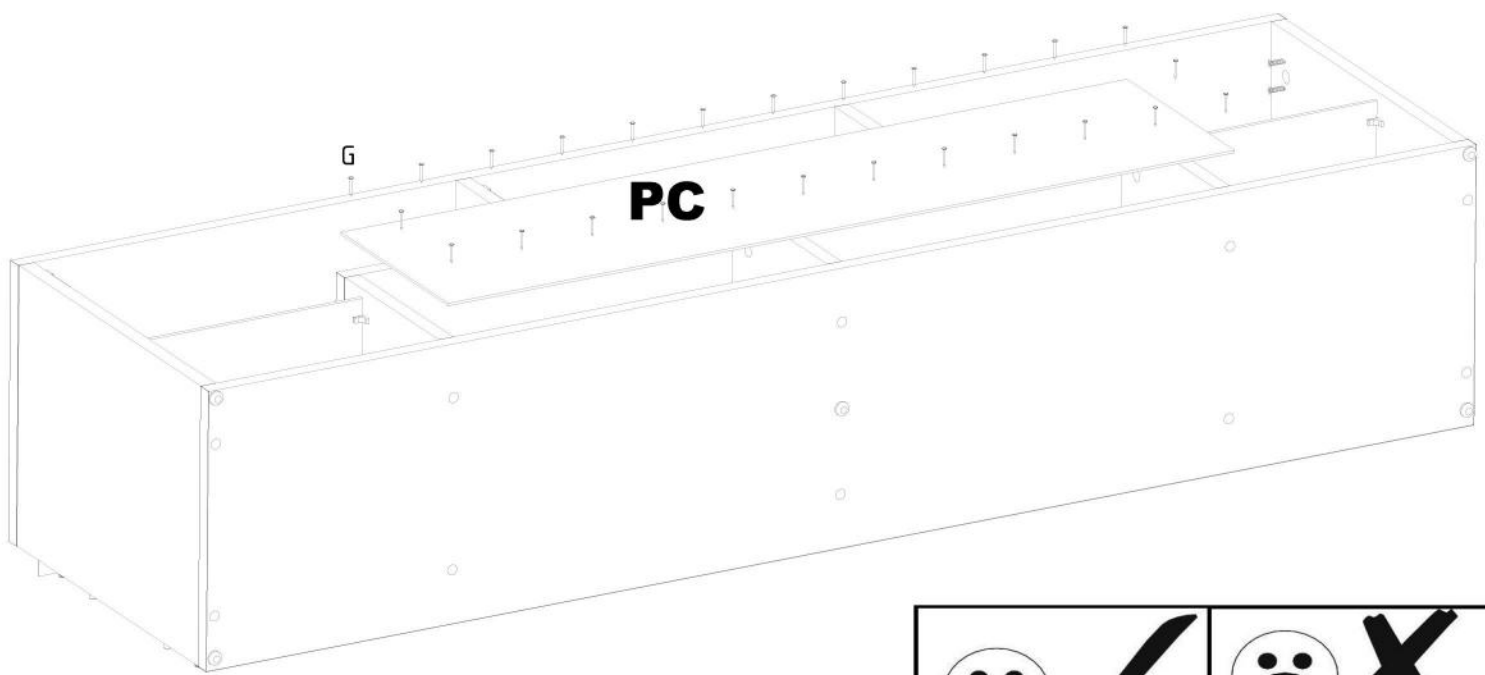
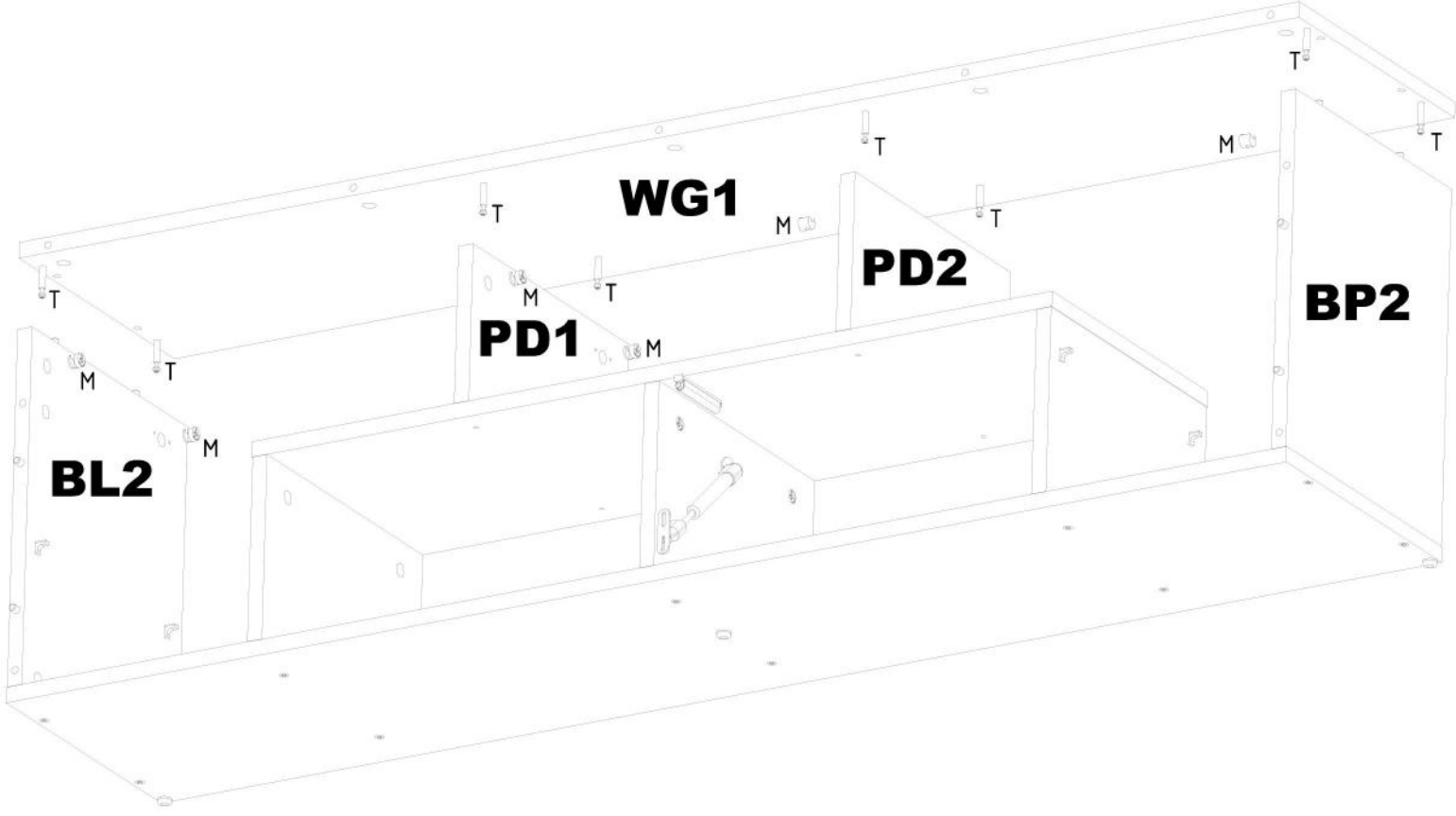
 A1	 G	8 x 30  K	6,3 X 50  KN	15 x 12  M
 OK1	 OK2	 PP3	 PR	 ZP
 SL	6 x 34 mm  T	4 x 16  W16	3 x 16mm  W3	4 X 35  W30
 Z	 ZK	 ZR	 Z5	

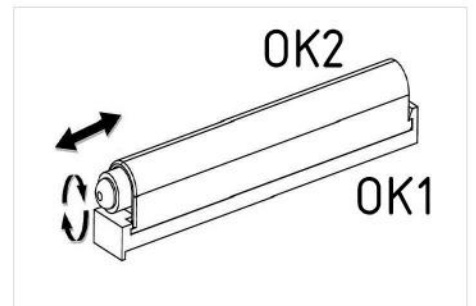
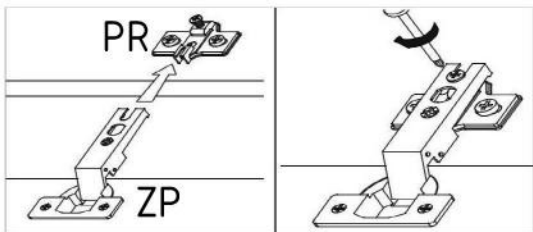
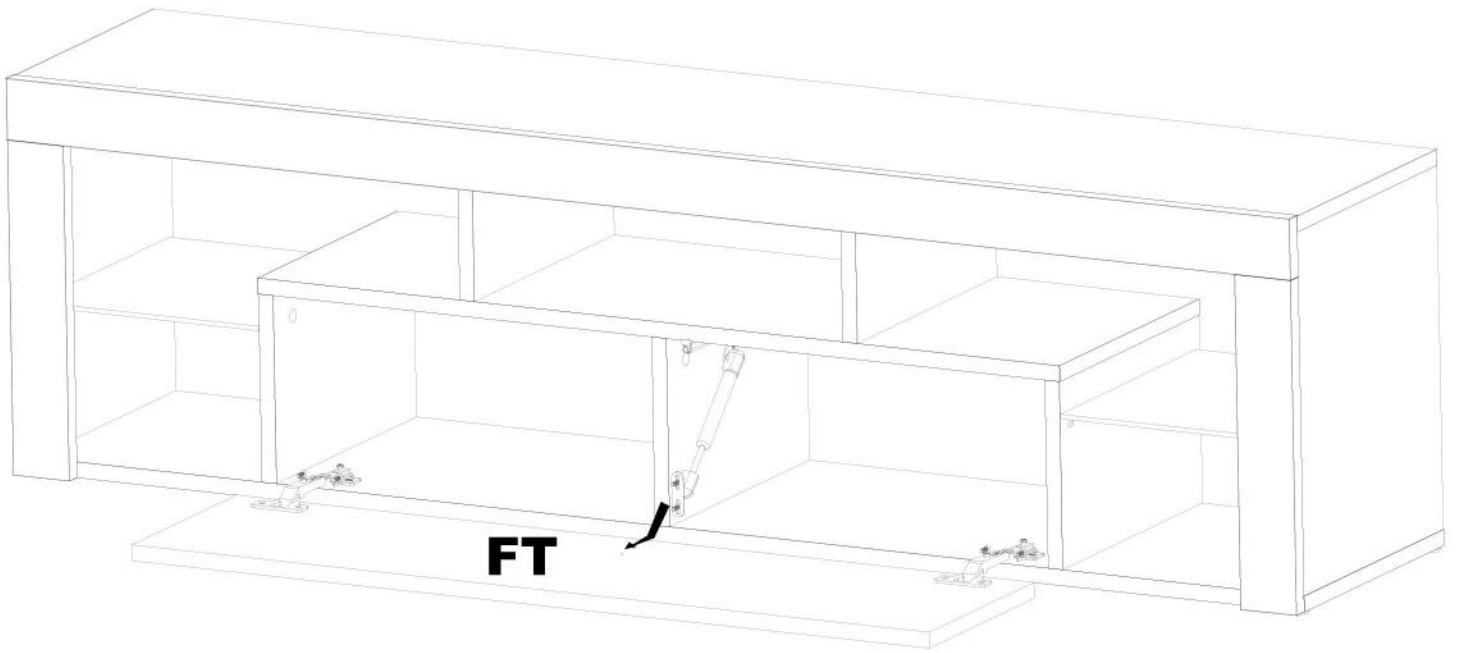
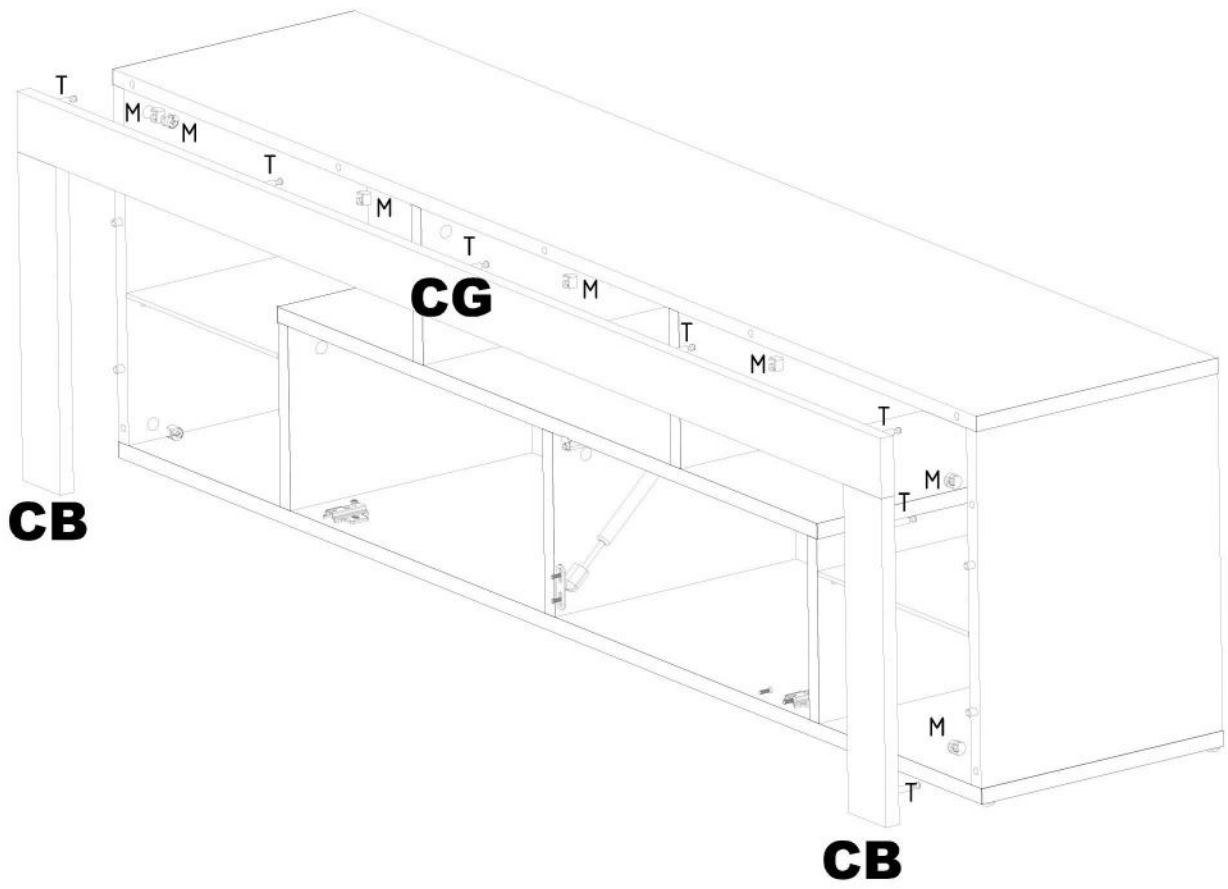
Elements				Accessories	
SYMBOL	LENGTH	WIDTH	QUANTITY	SYMBOL	QUANTITY
BL1	332	214	1	A1	1
BL2	414	332	1	G	26
BP1	332	214	1	K	8
BP2	414	332	1	KN	14
CB	381	70	2	M	23
CG	1600	70	1	OK1	1
FT	994	248	1	OK2	1
PC	244	992	1	PP3	8
PD1	332	182	1	PR	2
PD2	332	182	1	SB	1
PPIO	332	214	1	SL	5
PS	280	322	2	T	23
WD	1600	332	1	W16	13
WG1	1600	332	1	W3	2
WG2	1000	332	1	W30	8
				Z	23
				Z5	4
				ZK	14
				ZP	2
				ZR	4











9.

