

RIVET

RIVET 02

OP-71

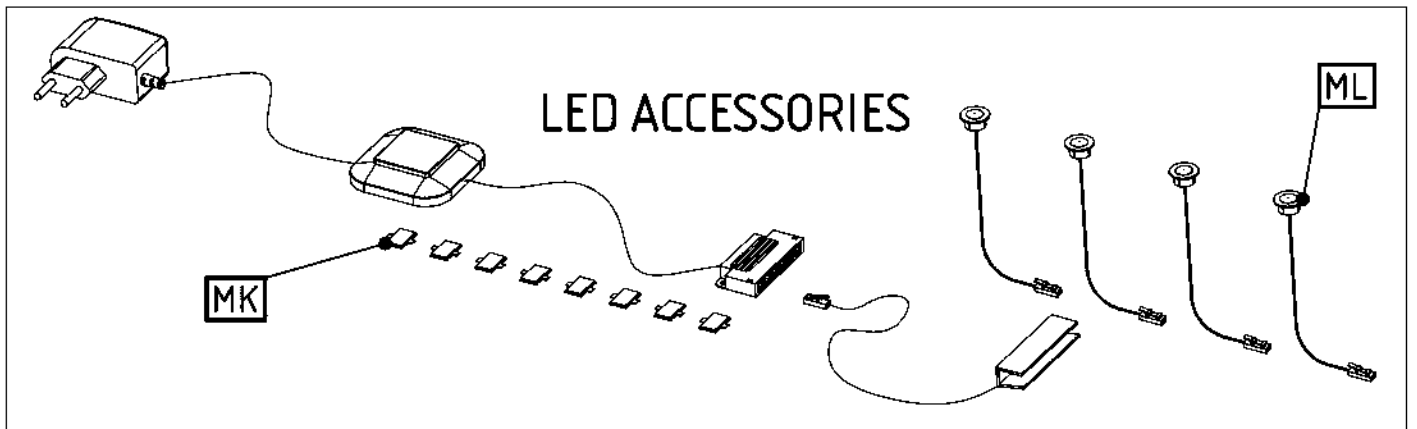
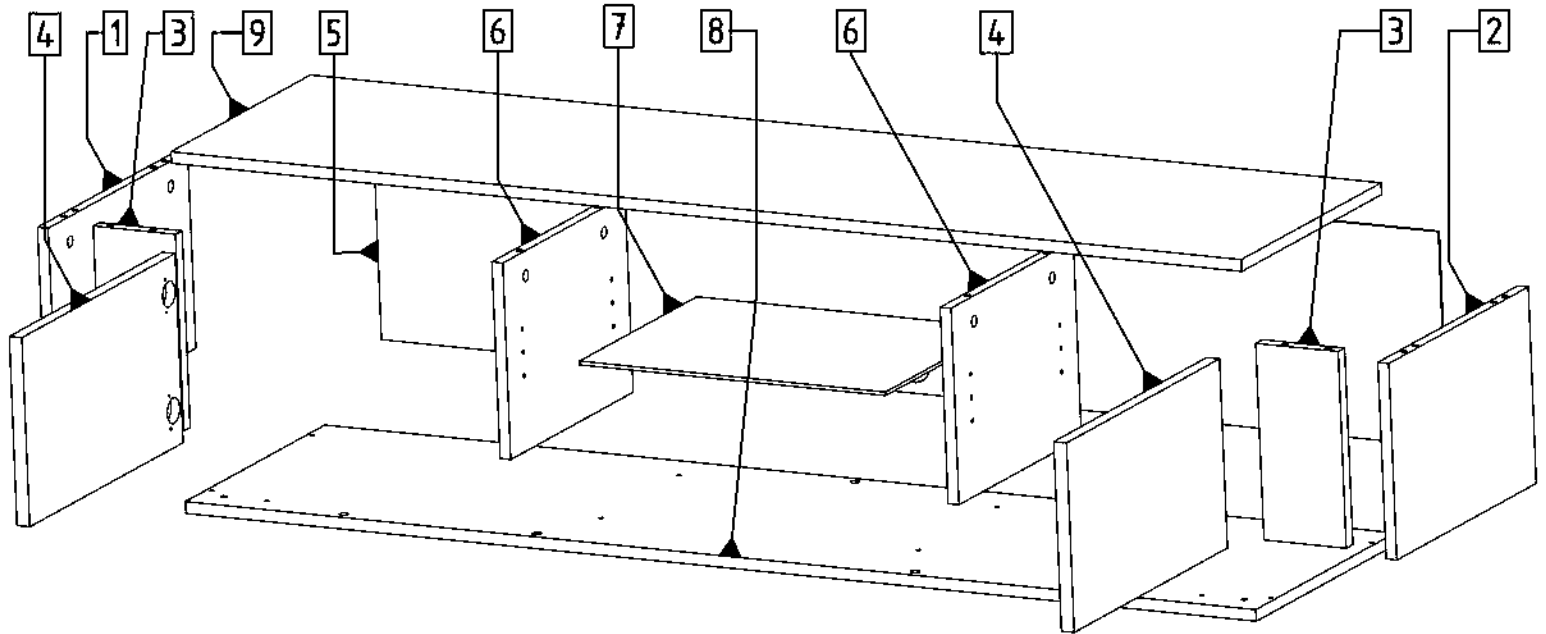
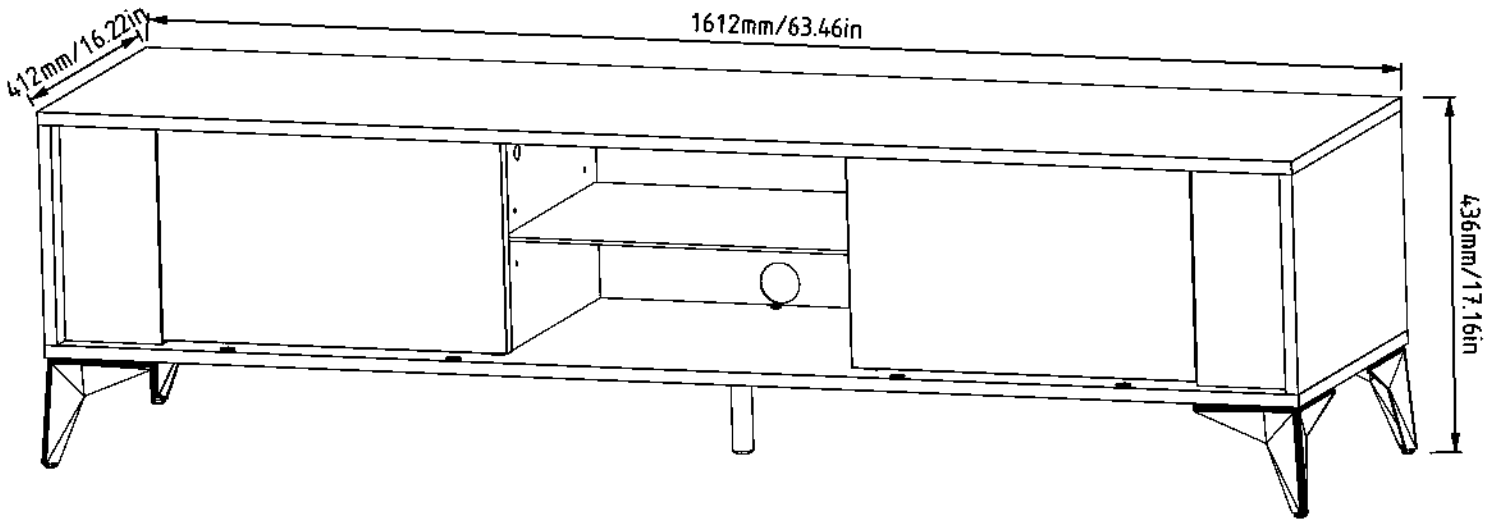
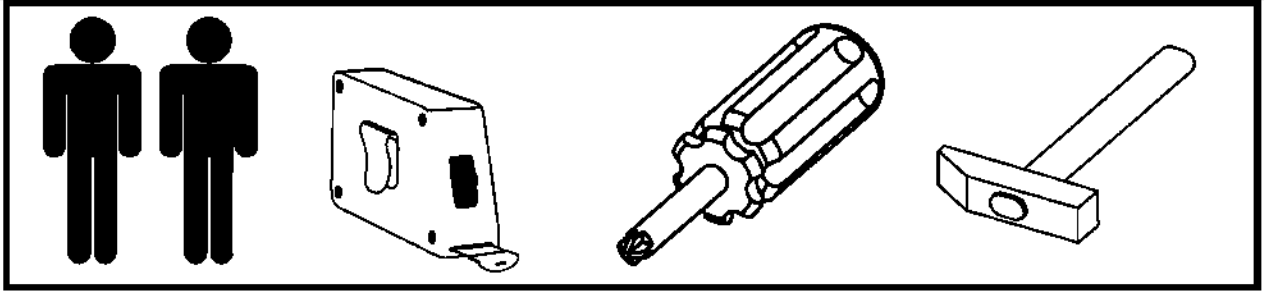
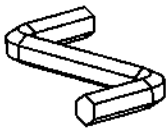
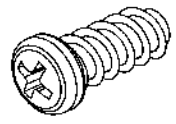
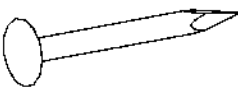
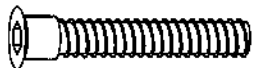


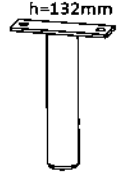
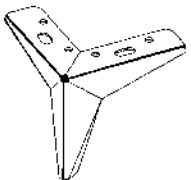
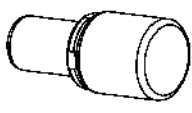
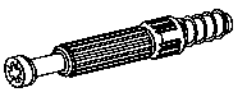
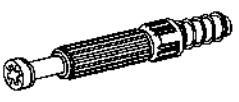
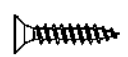
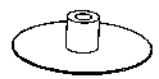
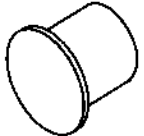
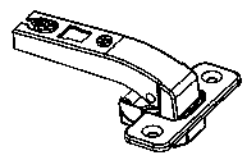
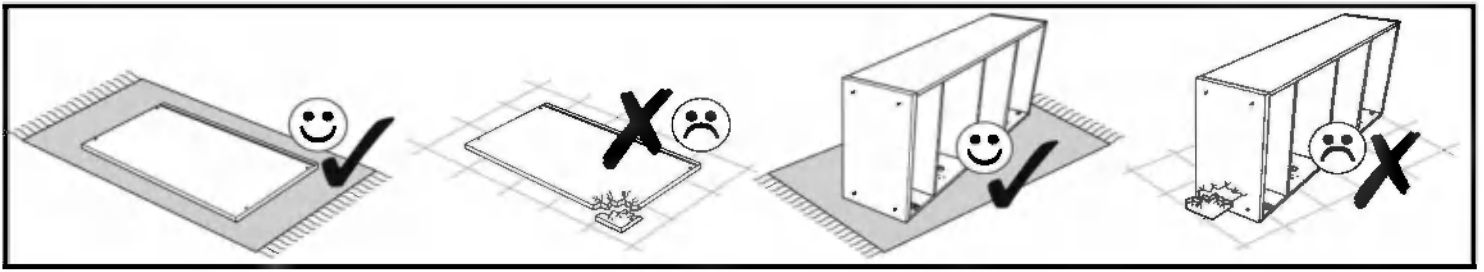


Table accessories

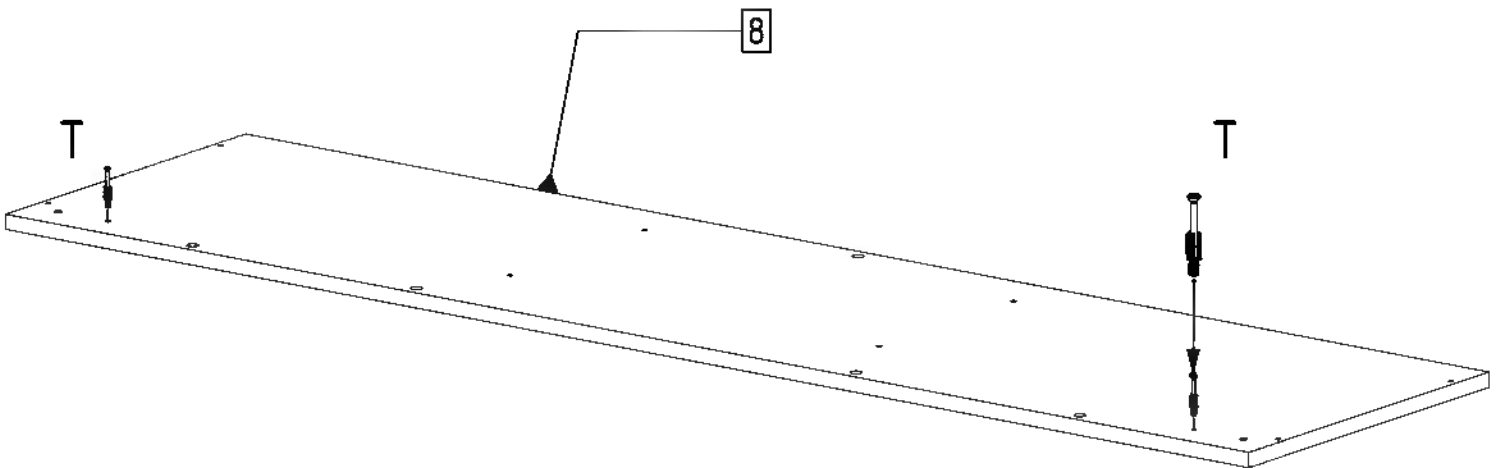
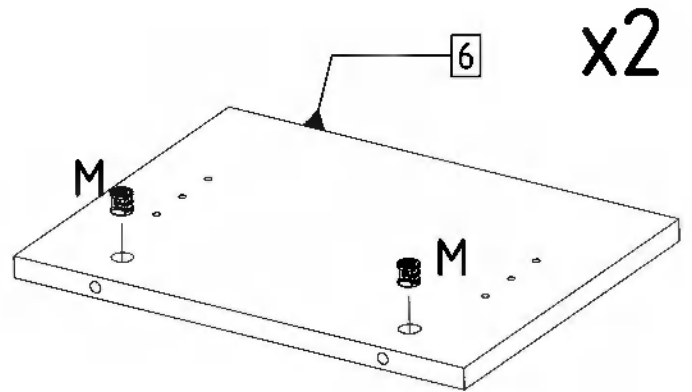
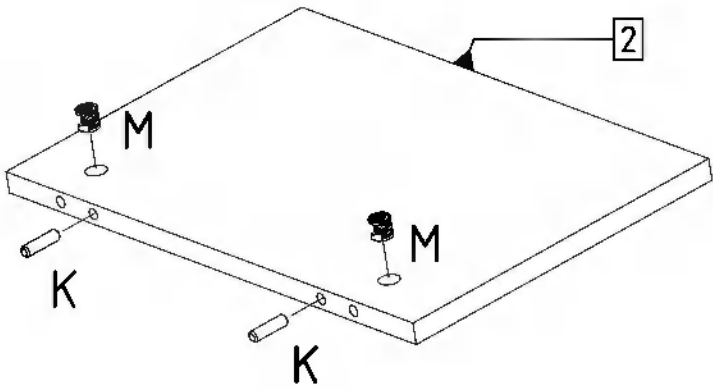
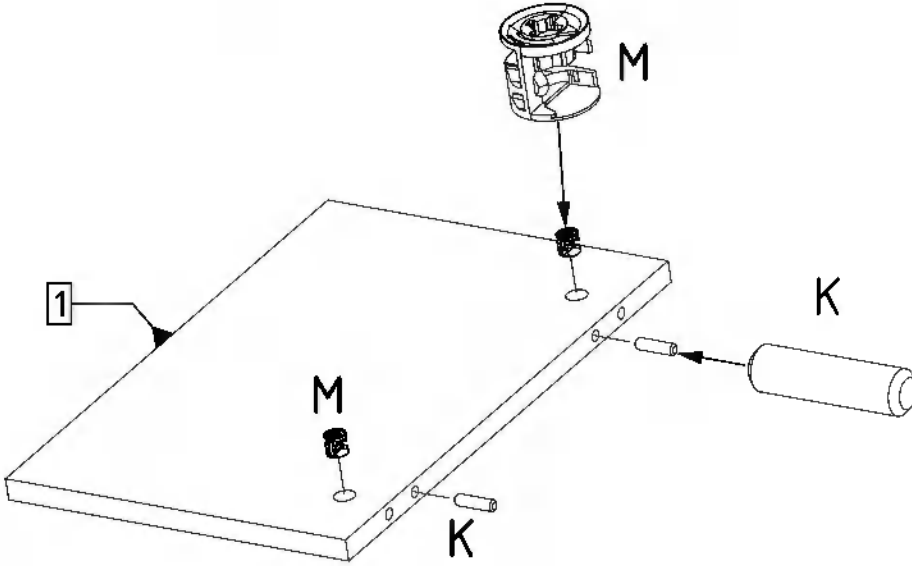
RIVET

 A1	6,3 X 13  E13	 G	6,3 X 50  KN	15 x 12  M
15 x 12  M	h=132mm  N9	 NG	 PP3	6 x 34 mm  T
6 x 34 mm  T	4 x 16  W16	 Z	 Z5	 ZRO

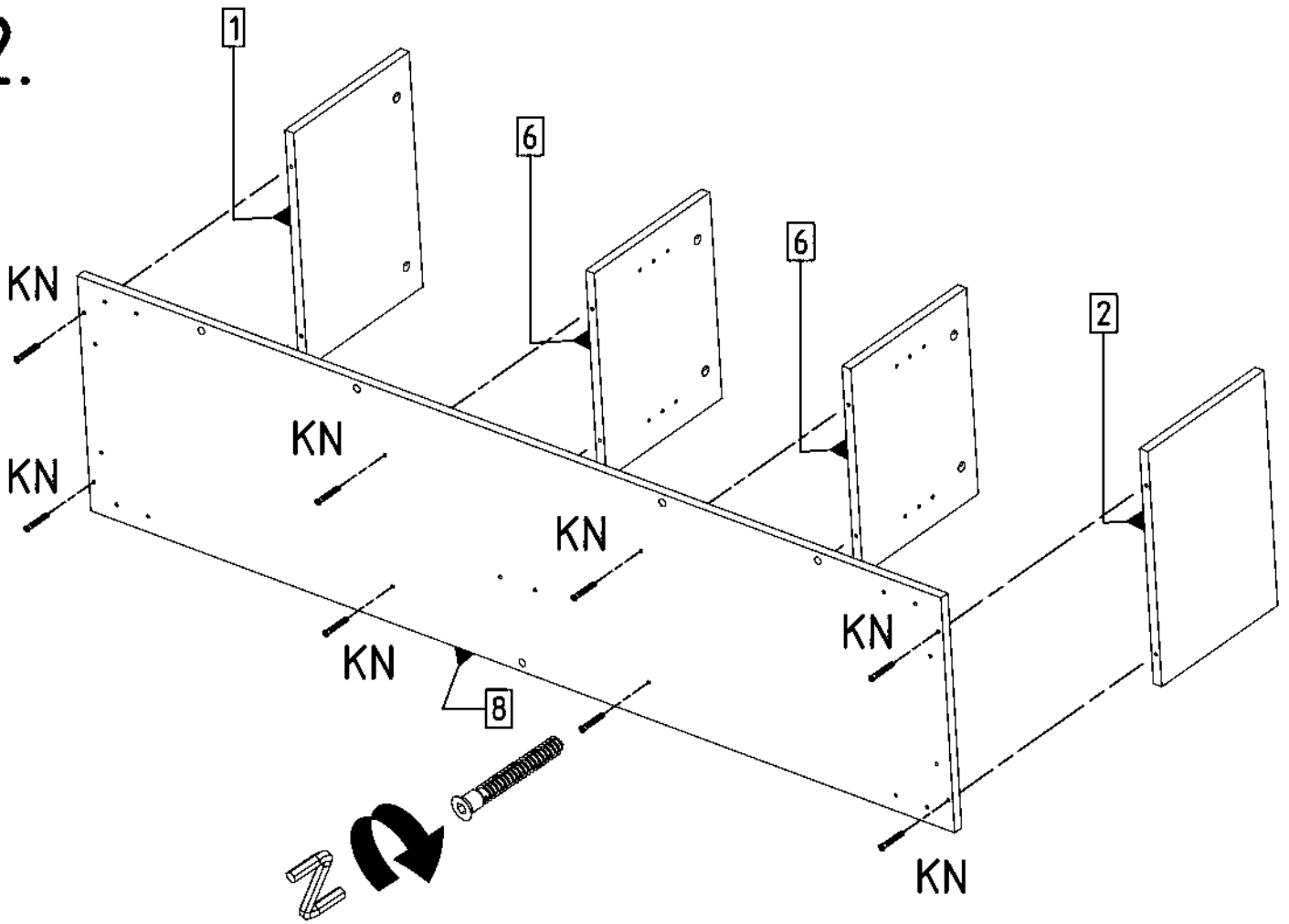
Elements				Accessories	
SYMBOL	LENGTH	WIDTH	QUANTITY	SYMBOL	QUANTITY
BL[1]	400	270	1	A1	1
BP[2]	400	270	1	E13	14
CB[3]	270	123	2	G	34
FT[4]	439	260	2	K	8
PC[5]	1593	296	1	KN	8
PPIO[6]	351	270	2	M	12
PS[7]	457	336	1	N9	1
WD[8]	1600	400	1	NG	4
WG[9]	1600	400	1	PP3	4
				PRE	4
				T	12
				W16	8
				Z	12
				Z5	12
				ZRO	4



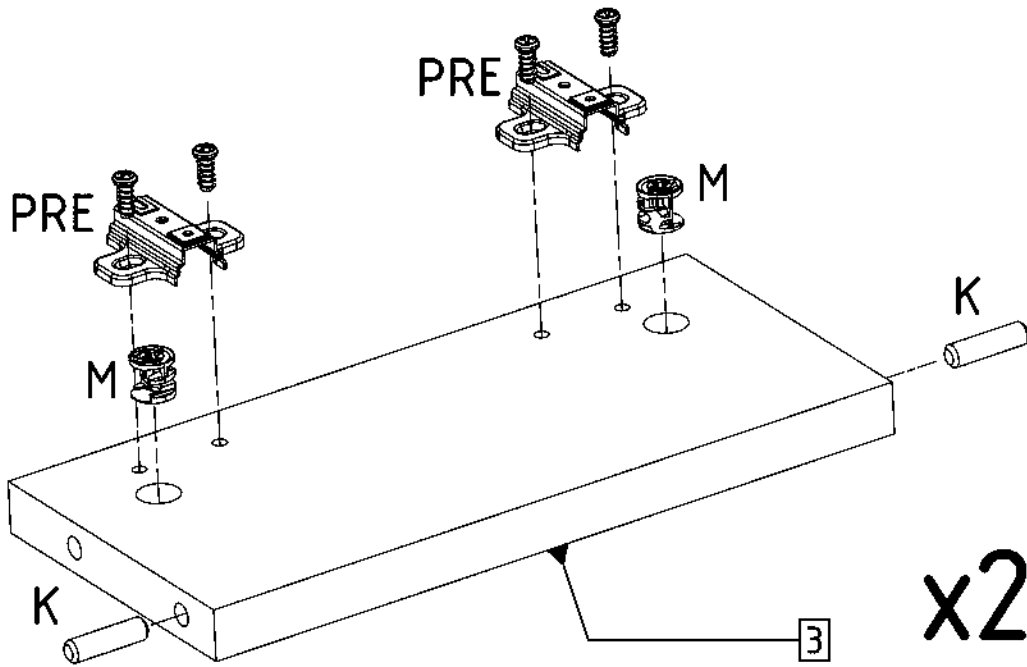
1.

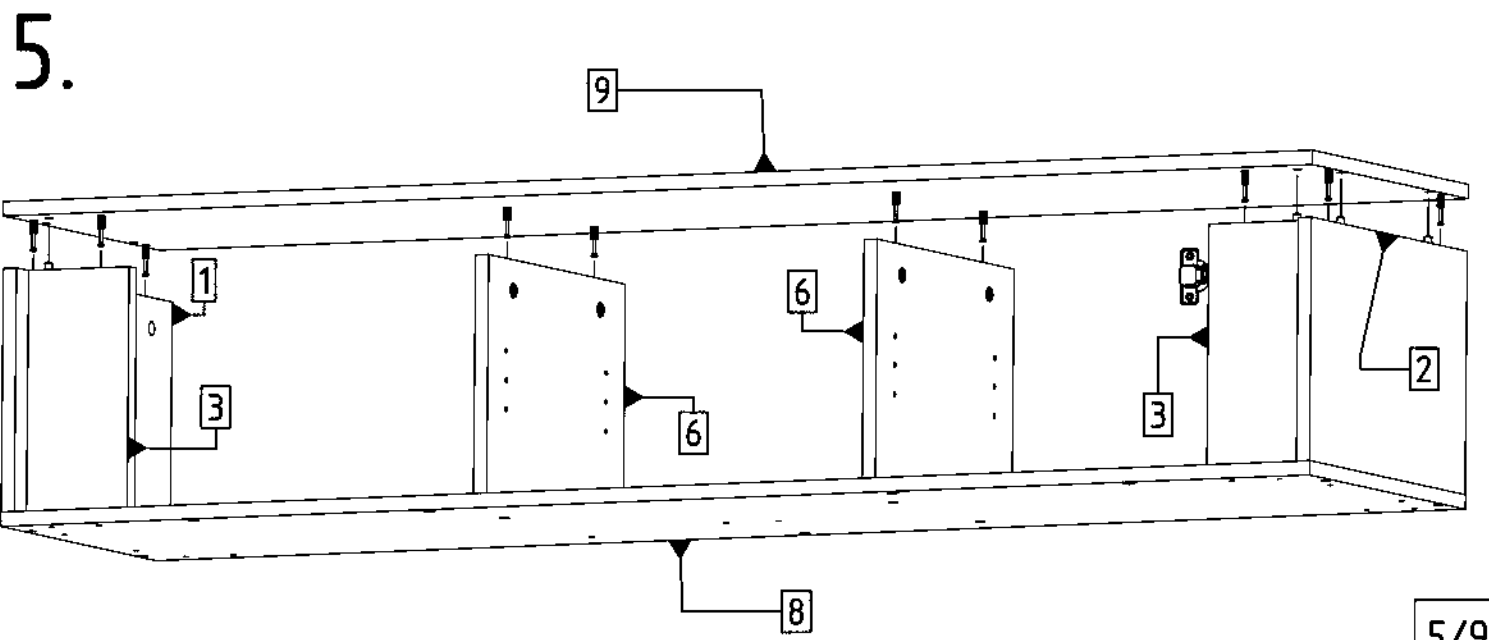
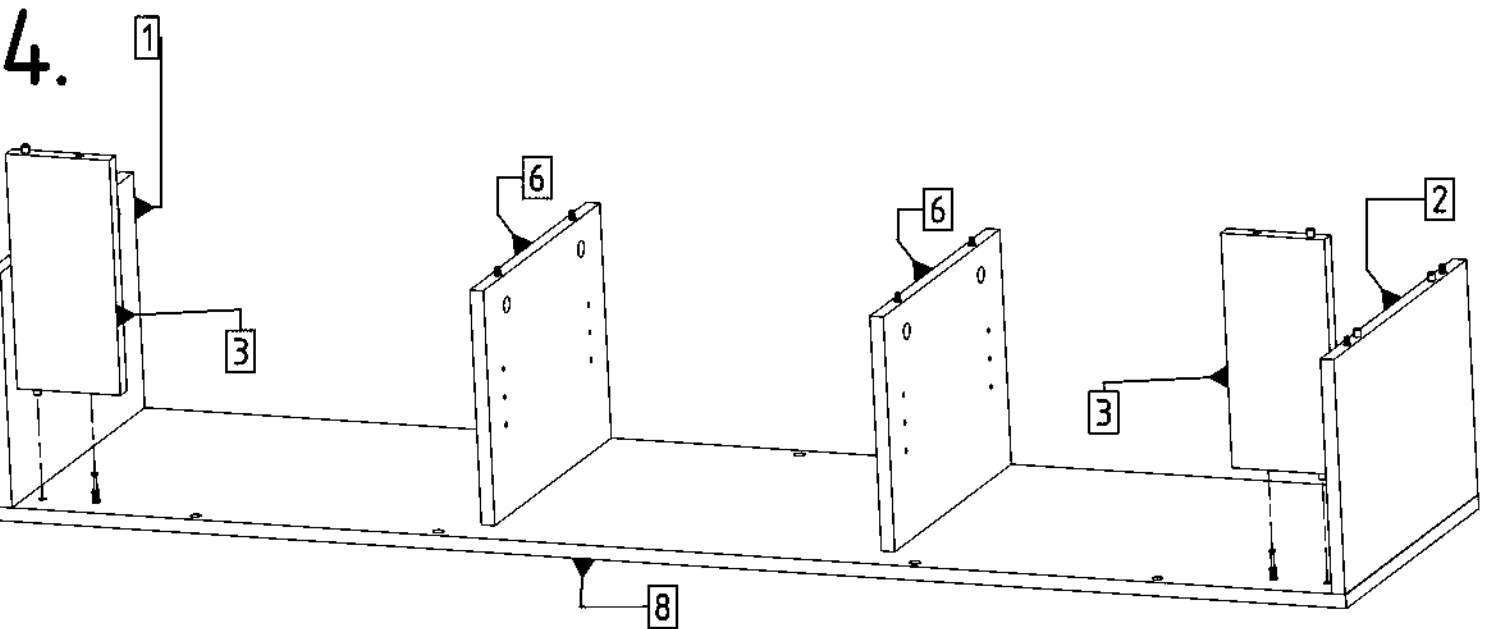
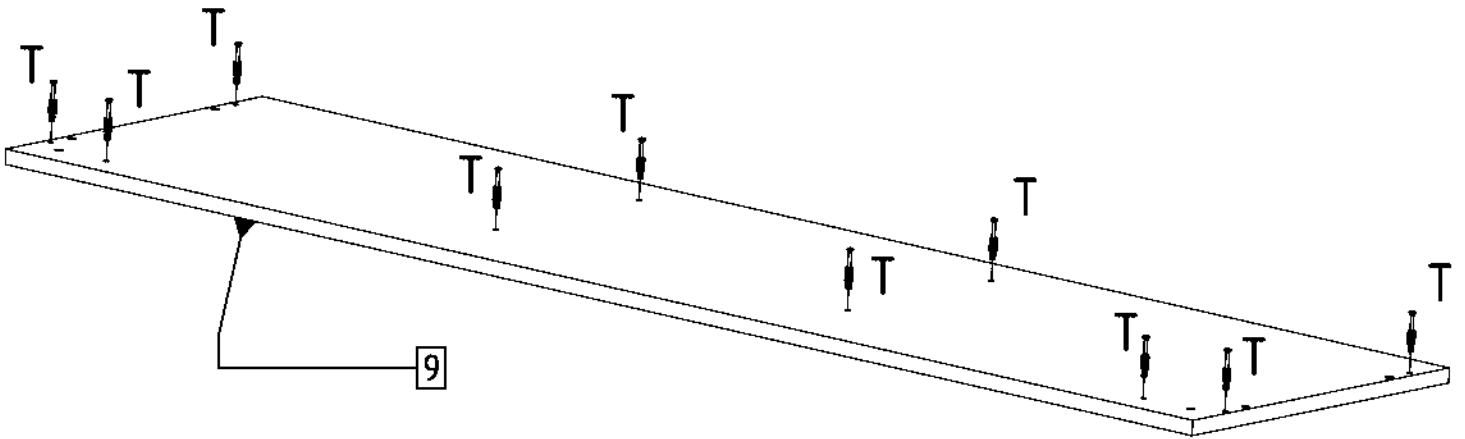
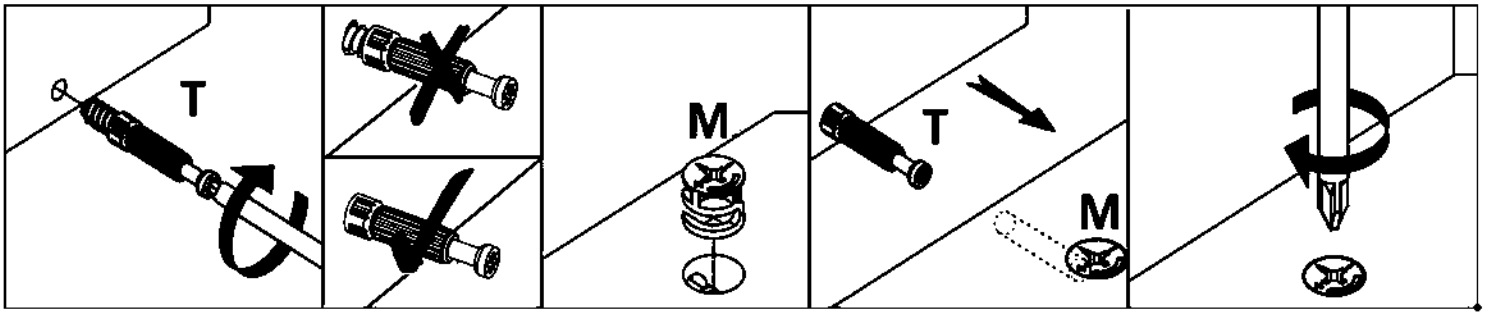


2.

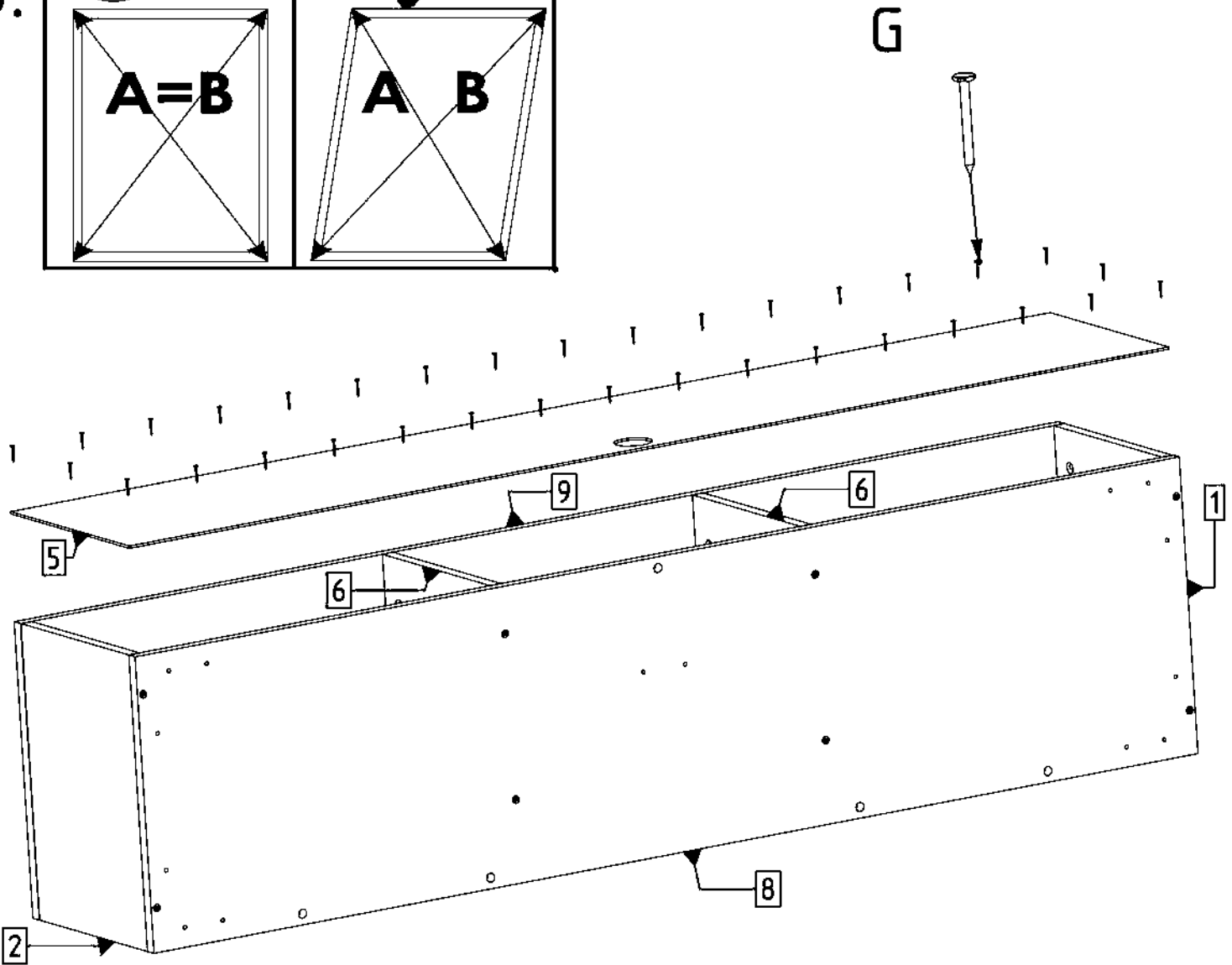
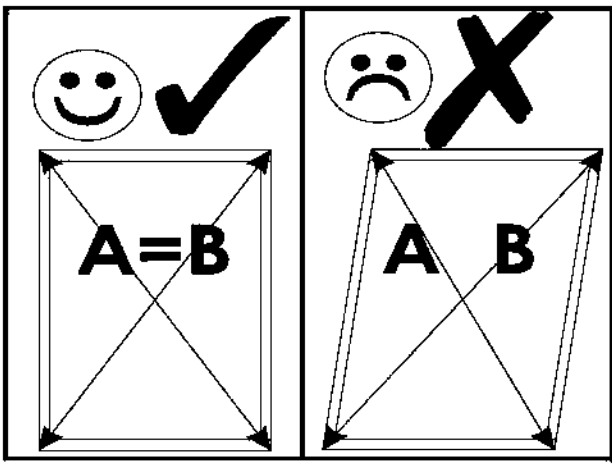


3.

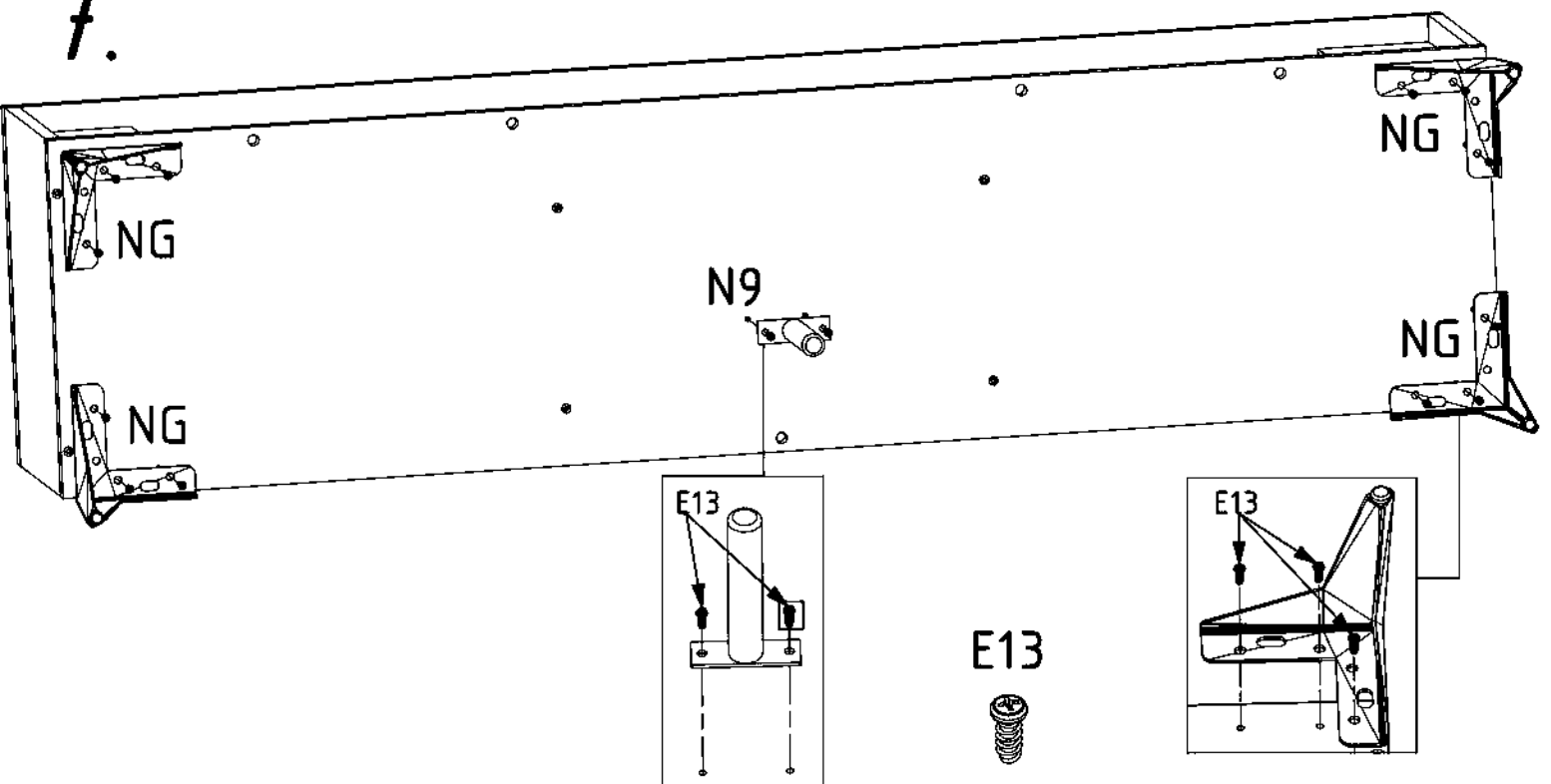




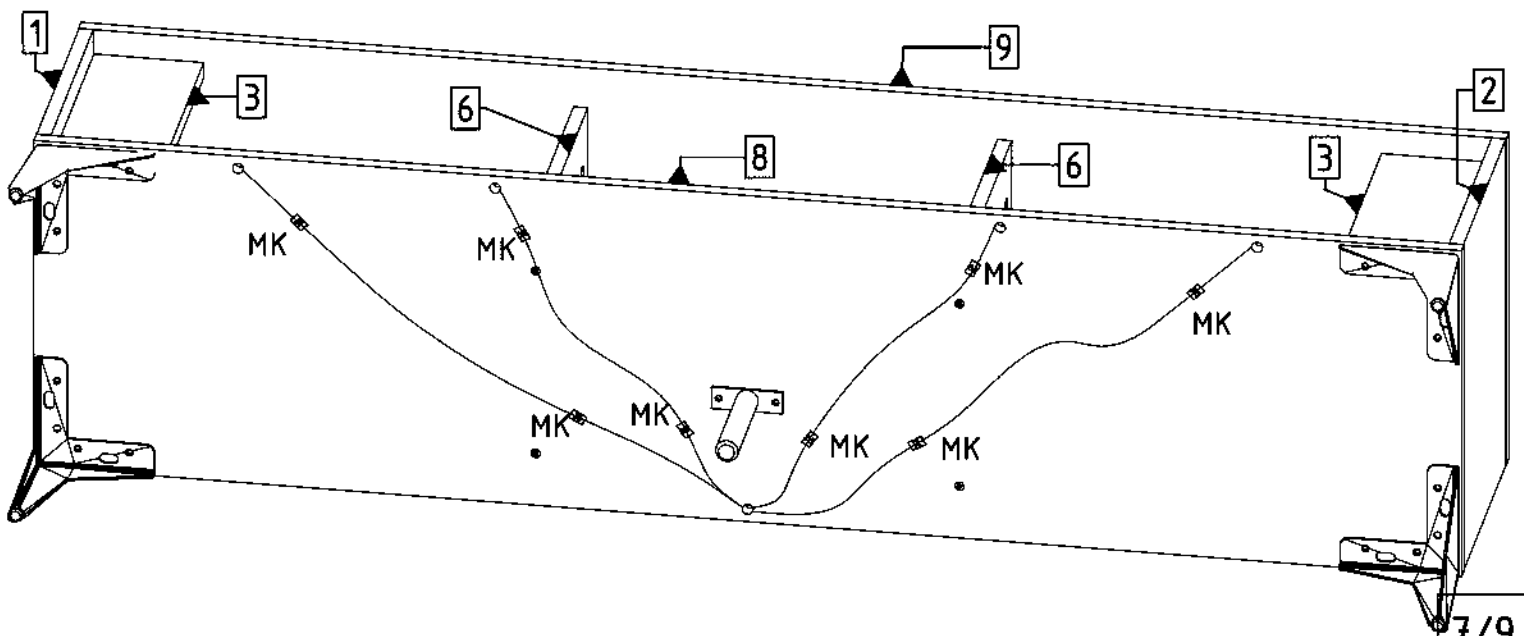
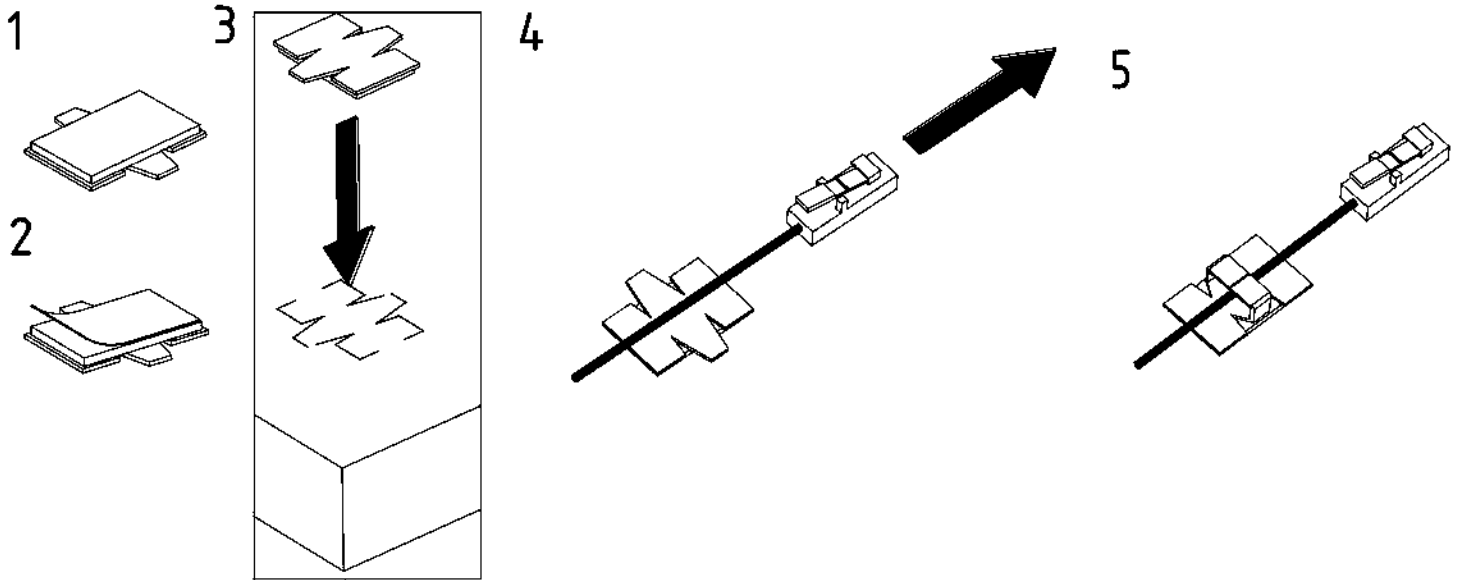
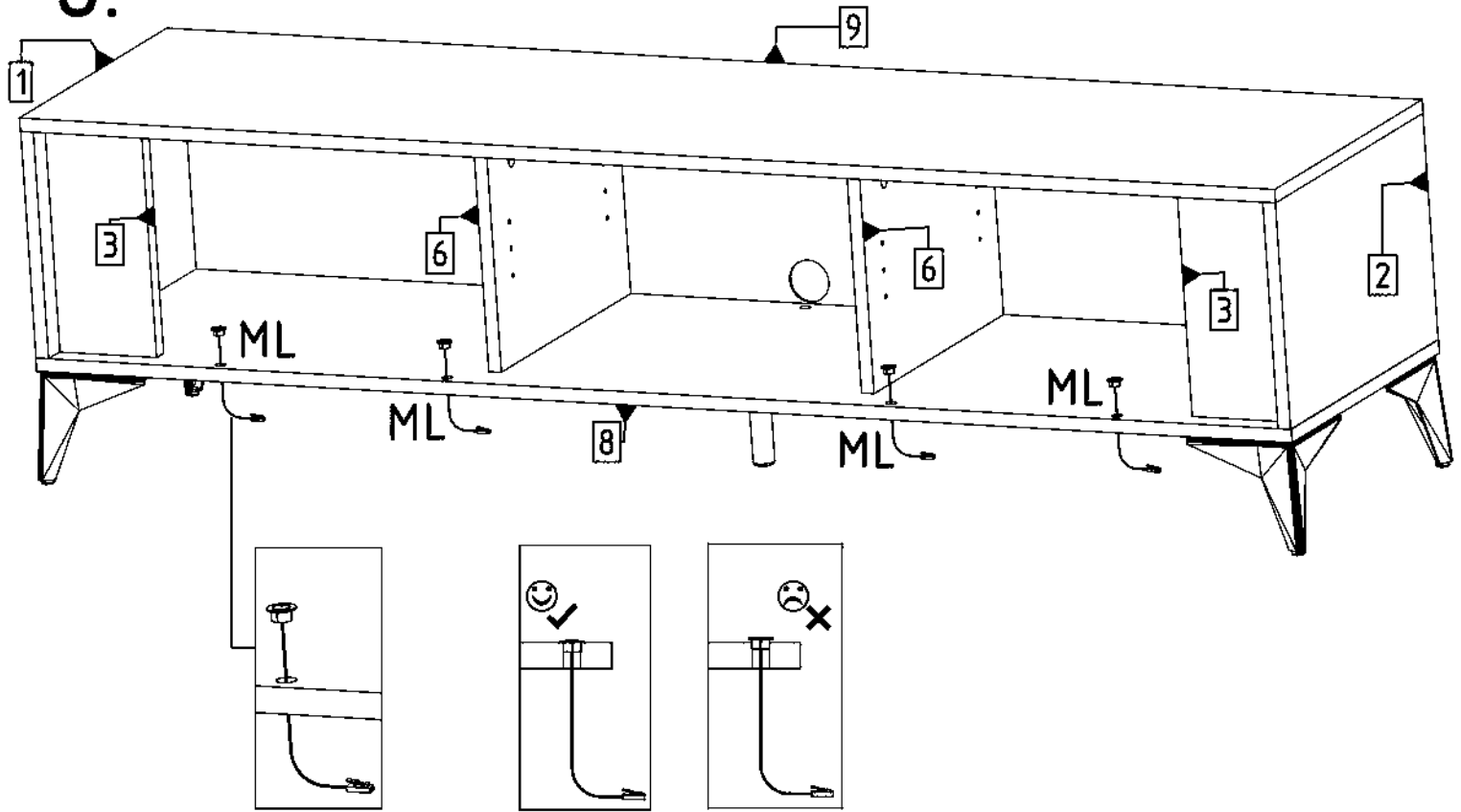
6.



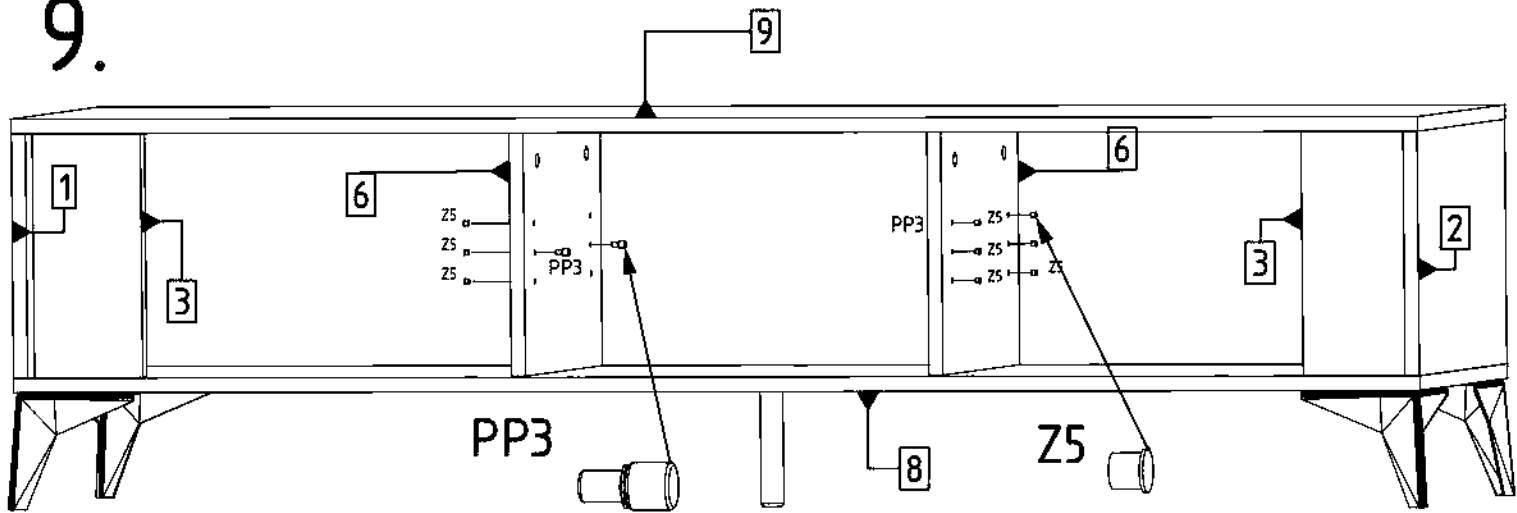
7.



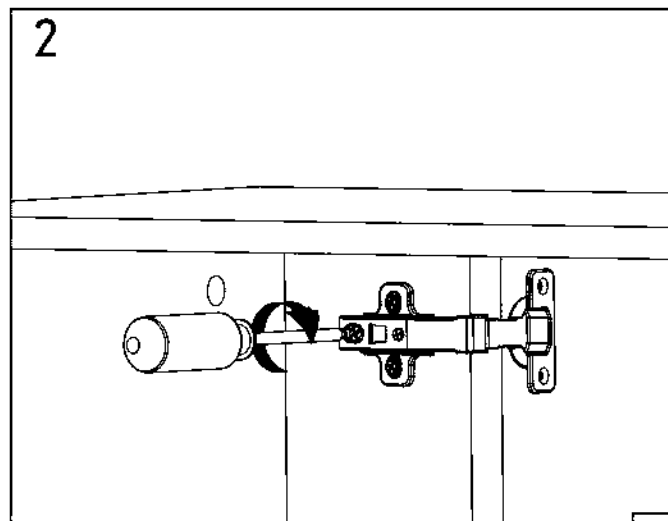
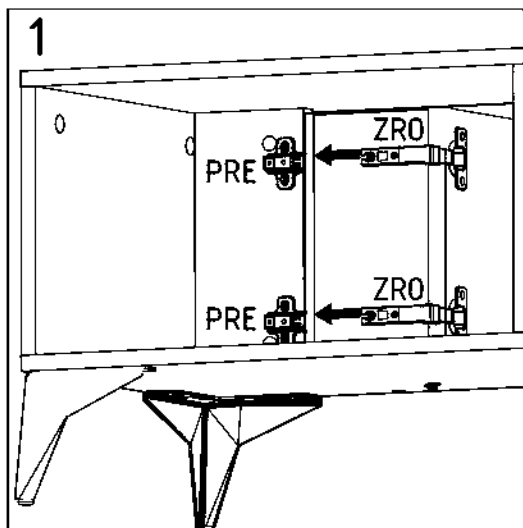
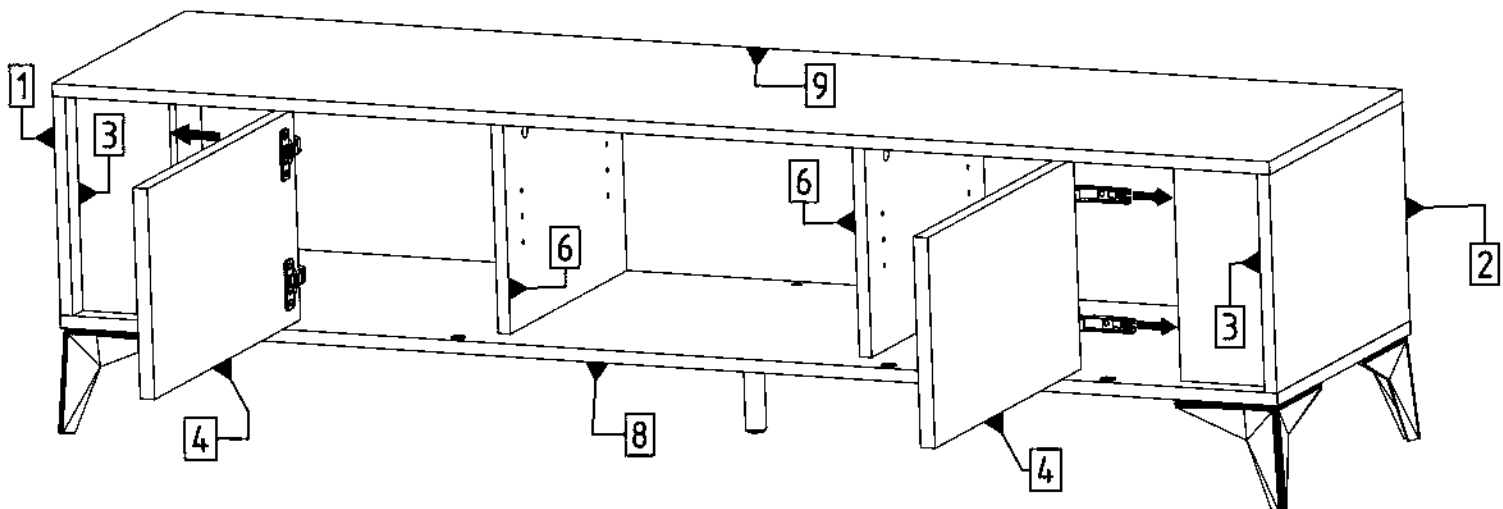
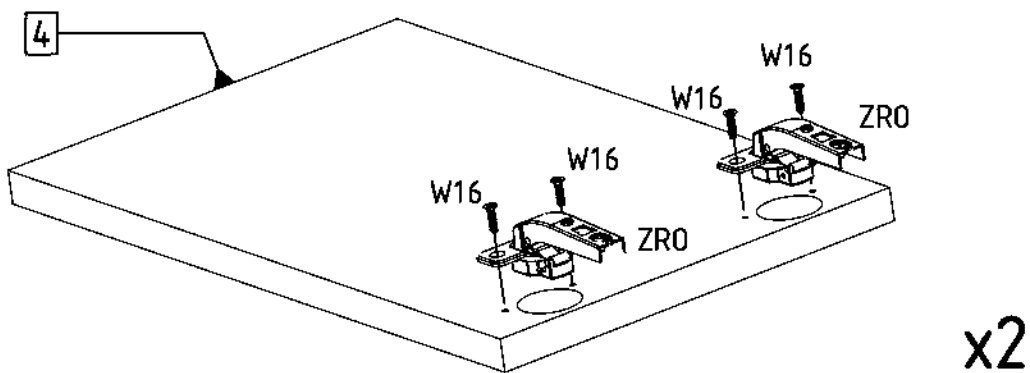
8.



9.



10.



11.

